

GLAZING INSTRUCTIONS

180,280,380 SERIES STEEL DOOR

1. Cut opening(s) in section to dimensions specified in Figure 1.
2. For insulated doors, cut out insulation using panel cut-out as a guide from the outside face of section.
3. Place Support Frame (not supplied) on work table or flat surface. Set Window Frame on top of Support Frame. Lay door section face down on top of Window Frame. See Figure 2.

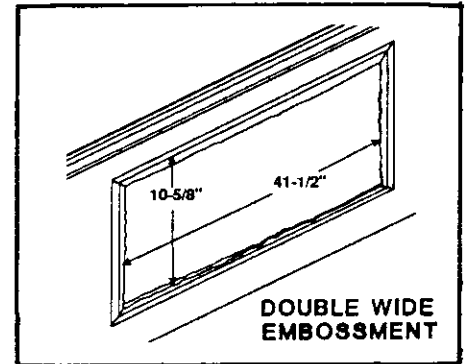
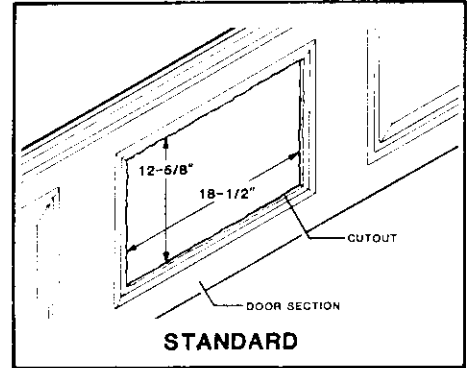


FIGURE 1

NOTE: It is recommended that a bead of standard caulk be placed between frame and section face and frame and glass to insure a watertight and corrosion-free seal.

4. Insert Decorative Trim (if required), then glass (12-1/8" x 18" or 10-1/8" x 41" for Double Wide Embossment) into Frame. See Figure 3.

5. Firmly press Back Retainers onto barbed parts of Window Frame. See Figure 3.

6. For insulated doors, press Glazing Bead into combination Window Frame/ Back Retainer Assembly. See Figure 4.

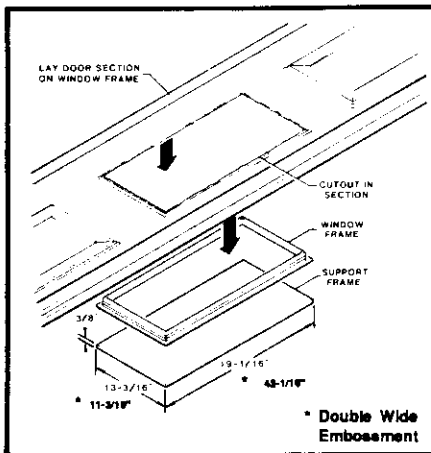


FIGURE 2

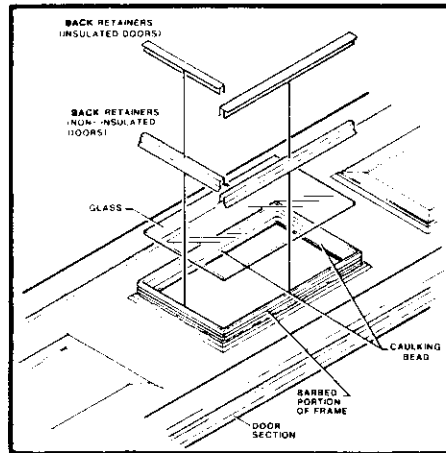


FIGURE 3

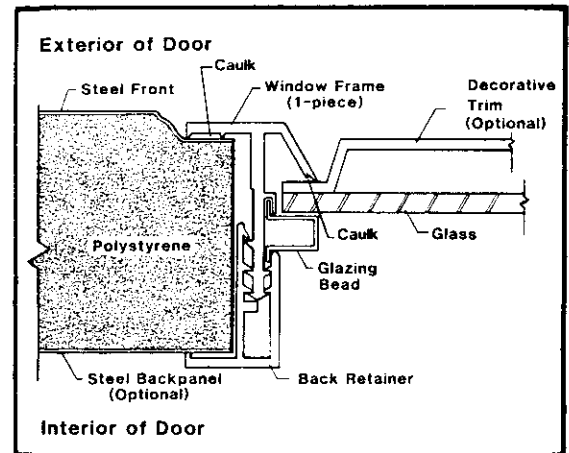


FIGURE 4

NON-INSULATED

INSULATED

WINDOW KIT:	<u>WHITE</u>	<u>BROWN</u>	<u>WHITE</u>	<u>BROWN</u>
Without Glass -	406897-0001	406897-0005	408257-0001	408257-0003
Without Glass (Double Wide)	406897-0017	_____	408257-0005	_____